

Wafer Butterfly Valve

AW24/1

DN50 - DN300 (EPDM)

PN16

The Wafer Butterfly Valve is available with various disc and seat material variations to suit a wide range of applications. It should be installed with its shaft horizontal, lower edge of disc opening downstream.

Technical Details

Face to Face in accordance to:

EN 558-1 Series 20

Maximum Working Pressure PFA:

16 bar / PN16

Working temperature:

EPDM maximum +90°C

NBR maximum +90°C on request

Viton maximum +150°C on request

Construction complies to:

EN 593, BS 5155

Certification:

Russian Certificate of Conformity, Hygienic Certificate PZH

Flange Type:

EN 1092-2 PN10 & PN16

Connector type:

accordance to EN ISO 5211

Coating:

300 µm FBE coating - RAL5015

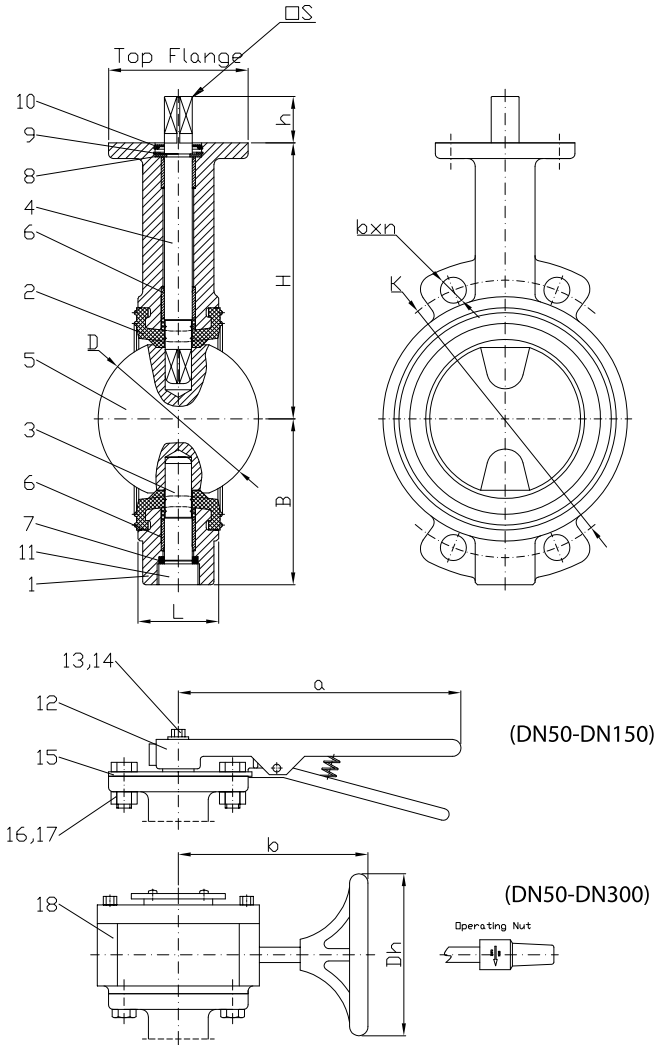
Application:

Installation for water, potable water, irrigation water and other chemically inert fluids for flow closing

Design features

- Polished disc edge for improved concentric sealing and lower torque
- Polished disc edge for improved concentric sealing and lower torque
- Rubber liner is replaceable and fully isolates body and stem
- O-ring moulded in the liner eliminates the need for flange gasket
- With locating holes for easier installation and centering.





No	Part Name	Material
1	Body	Ductile Iron EN-GJS-500-7
2	Liner	Elastomer EPDM
3	Bottom Shaft	Stainless Steel X5CrNiMo17-12-2 / 1.4401 / 316 (DN50-150) Duplex Stainless Steel (DN200-300)
4	Upper Shaft	Stainless Steel X5CrNiMo17-12-2 / 1.4401 / 316 (DN50-150) Duplex Stainless Steel (DN200-300)
5	Disc	Stainless Steel X5CrNiMo17-12-2 / 1.4401 / 316
6	Bushing	Brass
7	Spacer	PTFE
8	Thrust Collar	Brass
9	Circlip	Carbon Steel
10	Scraper Seal	Elastomer NBR
11	Plug	Carbon Steel
12	Lever	Ductile Iron EN-GJS-500-7
13	Bolt	Stainless Steel A4-80 (SS316)
14	Washer	Stainless Steel A4-80 (SS316)
15	Notch Plate	Carbon Steel
16	Bolt	Stainless Steel A4-80 (SS316)
17	Nut	Stainless Steel A4-80 (SS316)
18	Gearbox	Components

Dimension (mm & kg)

Group	DN	50	65	80	100	125	150	200	250	300
AW24/1	Lever									
	PN16	BP015	BP016	BP017	BP018	BP019	BP020	-	-	-
	Gearbox with handwheel									
	PN16	BP035	BP036	BP037	BP038	BP039	BP040	BP021	BP022	BP023
L	43	45	46	51,5	56	56,5	60	68,5	79,5	
H	140	152	160	180	191	202	241	274	315	
h	30	30	30	30	30	30	30	30	30	
B	68	76	85	100	120	132	160	200	230	
KPN16	125	145	160	180	210	240	295	355	410	
b x n PN16	19x4	19x4	19x8	19x8	19x8	23x8	23x12	28x12	28x12	
D	56,8	71,5	83	101,5	127,8	151,1	200,5	250,8	300,5	
a	263	263	263	263	263	263	326	412	412	
b	162	162	162	162	162	162	246	246	246	
Dh	186	186	186	186	186	186	294	294	294	
Stem Top Square □S	11	11	11	14	14	17	17	22	22	
Top Flange ISO 5211*	F07	F07	F07	F07	F07	F10	F10	F10	F10	
Weight kg	4,4	5,4	5,6	7,4	10,0	12,2	16,9	26,3	36,3	